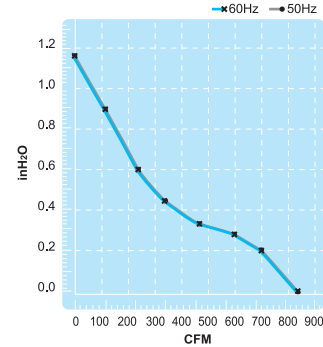
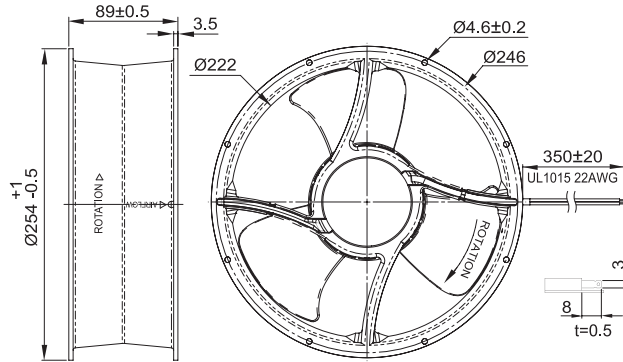


EC2589 Series.

Platic Impeller / Explosion Proof.

Size : $\varnothing 254 \times 89$
Unit : mm

(Axial Fan)



Electronically-Protected

Terminal or Lead Wire Type



Spec. Model	Rated Voltage V	Frequency Hz	Input Power W	Rated Current A	Locked Current A	Speed RPM	Maximum Air Flow m ³ /min.	Maximum Air Flow CFM	Maximum Pressure mmH ₂ O	Maximum Pressure Inch \varnothing O	Noise dB	Weight kg
EC2589 -URL1D8Aex	115~230	50/60	24	0.40	0.15 (115V) 0.11 (230V)	1750	14.5	512	12.5	0.49	60	2.09